

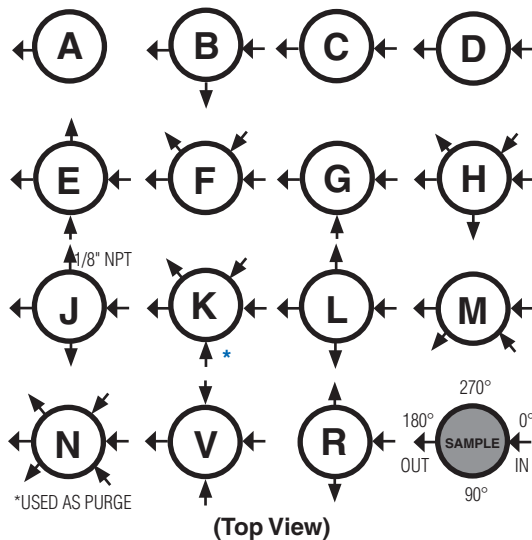
JRPHH Series

JRPHH SERIES FLOW CONFIGURATIONS

The hydraulic, high pressure JRPHH Series pressure reducing regulators are piston sensed and designed for inlet and outlet pressures up to 10,000 PSIG (689 bar). JRPHH Series regulators feature a wide range of inlet and outlet configurations, Cv: 0.06 or 0.2, adjustable captured venting, and compatibility with a broad range of media.

FEATURES

- Piston Sensed
- Main valve cartridge
- Adjustable captured vent
- Black anodized aluminum knob
- Machined bar stock body, bonnet and piston eliminates porosity found in castings
- NACE MR0175 compatible materials are available
- Dome loaded, and Air Actuated options available.
- 15000 PSIG (1034.21 bar) models available



JRPHH SERIES SPECIFICATIONS

Specifications

- **Maximum Inlet Pressure:**
 - 10000 Psig (690 Bar) (Stainless Steel, standard)
 - 6000 Psig (414 Bar) (Brass)
- **Control Pressure Ranges:**
 - 5-500 Psig (0,35-34,5 Bar)
 - 5-800 Psig (0,35-55,2 Bar)
 - 10-1500 Psig (0,69-103 Bar)
 - 15-2500 Psig (1,0-172 Bar)
 - 25-4000 Psig (1,7-276 Bar)
 - 50-6000 Psig (3,4-414 Bar)
 - 100-10000 Psig (6,9-690 Bar)
- **Flow Capacity:**
 - Main Valve Cv: 0.06 or 0.20
 - Vent Valve Cv: 0.06
- **Design Proof Pressure:** 150% maximum rated
- **Operating Temperature:**
 - -15°F/-26°C to 165°F/74°C (Buna-N)
 - -4°F/-20°C to 165°F/74°C (Viton®)
 - -65°F/-54°C to 165°F/74°C (EPDM)
 - 0°F/-17°C to 165°F/74°C (KALREZ®)
 - 15°F/-9°C to 165°F/74°C (ALFAS)
 - -50°F/-45°C to 165°F/74°C (Nitrile, Lo-Temp)

Materials of Construction

- **Body:** 316 Stainless Steel or SAE 360 Brass
- **Bonnet:** 17-4 Stainless Steel
- **Piston:** 316 Stainless Steel
- **Valve Stem:** 17-4 Stainless Steel
- **Valve Seat:** 17-4 Stainless Steel
- **Wetted Parts:** 316 Stainless Steel & 17-4 Stainless Steel
- **Seals:** Viton®, Buna-N, EPDM or Kalrez®, AFLAS, Nitrile (Lo-Temp)
- **Back-Up Rings:** PTFE & PCTFE

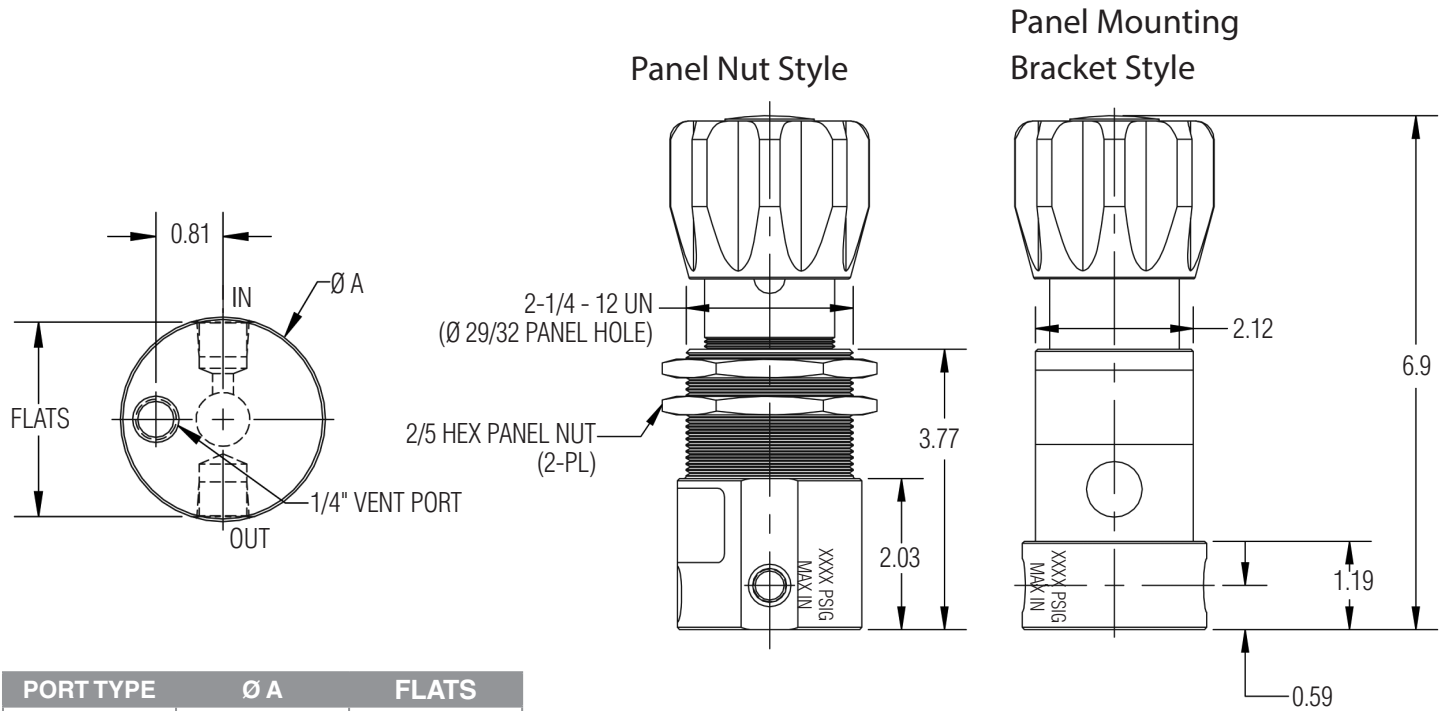
Porting

- **Inlet/Outlet Port:**
 - 1/4" SAE J1926, AS5202, or medium pressure
 - 3/8" SAE J1926, AS5202, or medium pressure
 - 1/2" SAE J1926, AS5202
 - 9/16" medium pressure
- **Vent Port:**
 - 1/4" FNPT, SAE J1926, AS5202, NPTF or medium pressure
- **Gauge Ports:** 1/4" FNPT

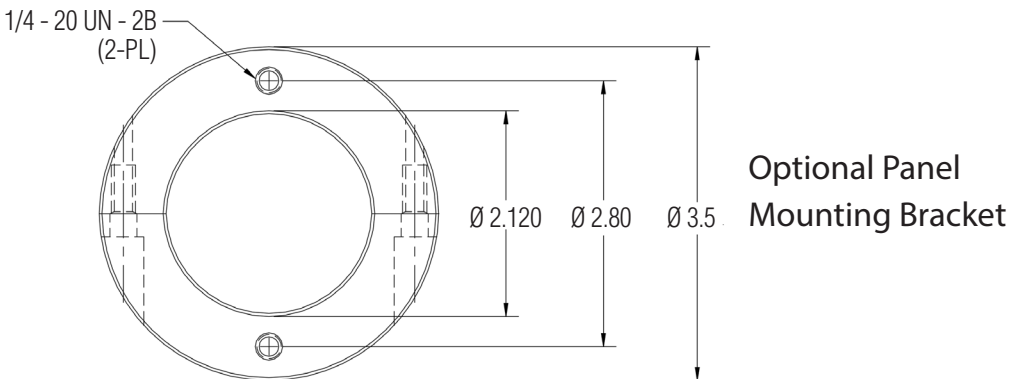
Optional Items

- Gauges
- Non-venting
- Air Loaded Design

JRPHH SERIES DIMENSIONS



PORT TYPE	Ø A	FLATS
NPT, NPTF	Ø2.48	--
1/4" OTHER	Ø2.48	2.36
3/8" OTHER	Ø2.98	2.81
1/2" SAE	Ø3.23	3.00
9/16" M.P.	Ø3.23	3.00



JRPHH SERIES ORDERING SCHEMATIC

Model		1 & 2	3	4	5	6	7	8 & 9	10
JRPHH	/								

Model	
JRPHH	Hydraulic Regulator

1 & 2	Body Style
MB*	Mounting Bracket Style Body
PN*	Threaded Panel Nut Style Body

* Mounting bracket & panel nuts sold separately

3	Range Spring
1	5 - 500 psi (0,35 - 34,5 bar)
2	5 - 800 psi (0,35 - 55,2 bar)
3	10 - 1500 psi (0,69 - 103 bar)
4	15 - 2500 psi (1,0 - 172 bar)
5	25 - 4000 psi (1,7 - 276 bar)
6	50-6000 psi (3,4 - 414 bar)
7	100 - 10000 psi (6,9 - 690 bar)*

* Stainless Steel body & bonnet

4	Trim
0	0.06 Cv
2	0.2 Cv

6	Port Size
4	1/4" (DN8)
6	3/8" (DN10)
8*	1/2" (DN15)
9**	9/16"

* Ports not available in medium pressure

** Ports only available in medium pressure

7	Port Type
1	FNPT
2	SAE J1926
3	SAE AS5202
4	Medium
6	NPTF

8 & 9	O-Ring Material
00	BUNA-N
01	AFLAS
02	VITON-A
05	EPDM
11	KALREZ
12	NITRILE (Lo-Temp)

10	Options
N	NACE MR0175
B	Brass Body
NV	Non-Venting