

Description & Features:

- General purpose panel mounted gauge with 1.5" (40mm) to 3.5" (90mm) dial sizes
- Flutterless pointer
- Dampened movement
- Removable lens
- Zero-adjustment
- ±2-1-2% accuracy
- ASME B40.100 compliant
- CRN registered
- 5 year warranty

Applications:

- Panels, compressor equipment, water and oil pumps where rapid pressure fluctuations or system vibration require a stable pointer
- Suitable for non-clogging and non-corrosive media

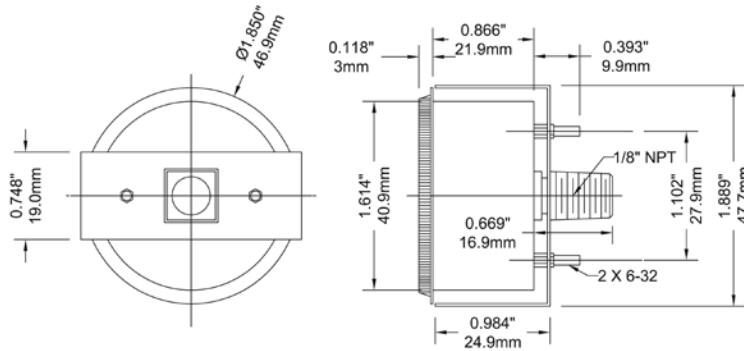
Specifications	
Dial	1.5" (40mm), 2" (50mm), 2.5" (63mm), 3.5" (90mm), white aluminum with black and red markings
Case	Steel, painted black
Lens	Acrylic, threaded
Socket	Brass
Connection	1/8" NPT or 1/4" NPT standard
Bourdon Tube	Phosphor bronze
Movement	Brass (flutterless movement)
Pointer	Aluminum, black
Welding	Silver alloy
Over-pressure Limit	25% of full scale value
Working Pressure	Maximum 75% of full scale value
Ambient/Process Temperature	-40°F to 150°F (-40°C to 65°C)
Accuracy	±2-1-2% ANSI/ASME Grade A
Enclosure Rating	IP52
Warning	⚠ WARNING: This product can expose you to chemicals including lead, which is known to the State of California to cause cancer and birth defects or other reproductive harm. For more information go to www.P65Warnings.ca.gov .

Order Codes (products in bold are normally stock in North America)

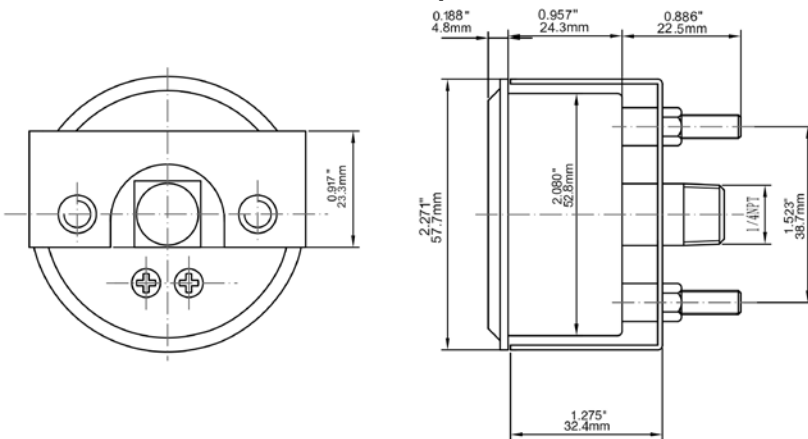
Dial Size	1.5" (40mm)	2" (50mm)		2.5" (63mm)	3.5" (90mm)
Connection	1/8" Back (CB)	1/8" Back (CB)	1/4" Back (CB)	1/4" Back (CB)	1/4" Back (CB)
Panel Cut-out	1.69" (43mm)	2.11" (53.5mm)	2.11" (53.5mm)	2.66" (67.5mm)	3.68" (93.5mm)
Overall O.D.	1.85" (47.7mm)	2.27" (57.9mm)	2.27" (57.9mm)	2.82" (71.9mm)	3.94" (98.9mm)
30" Hg Vac/kPa	P9U901397UC	P9U901424UC	P9U901428UC	P9U901431UC	P9U901455UC
30"/0/15 psi/kPa	-	-	-	-	-
30"/0/30 psi/kPa	-	-	-	-	-
30"/0/60 psi/kPa	-	-	-	-	-
30"/0/100 psi/kPa	-	-	-	-	-
0/15 psi/kPa	P9U901399UC	P9U901425UC	P9U901429UC	P9U901436UC	P9U901464UC
0/30 psi/kPa	P9U901400UC	P9U901402UC	P9U901403UC	P9U901437UC	P9U901456UC
0/60 psi/kPa	P9U901401UC	P9U901404UC	P9U901405UC	P9U901438UC	P9U901457UC
0/100 psi/kPa	P9U901420UC	P9U901406UC	P9U901407UC	P9U901439UC	P9U901458UC
0/160 psi/kPa	P9U901421UC	P9U901408UC	P9U901409UC	P9U901440UC	P9U901459UC
0/200 psi/kPa	P9U901422UC	P9U901426UC	P9U901410UC	P9U901441UC	P9U901460UC
0/300 psi/kPa	P9U901423UC	P9U901427UC	P9U901411UC	P9U901442UC	P9U901461UC
0/400 psi/kPa	P9U901443UC	P9U901445UC	P9U901447UC	P9U901453UC	P9U901462UC
0/600 psi/kPa	P9U901444UC	P9U901446UC	P9U901448UC	P9U901454UC	P9U901463UC

Other ranges and connection sizes available upon request. For scale change, refer to How to Order Guide for scale codes.

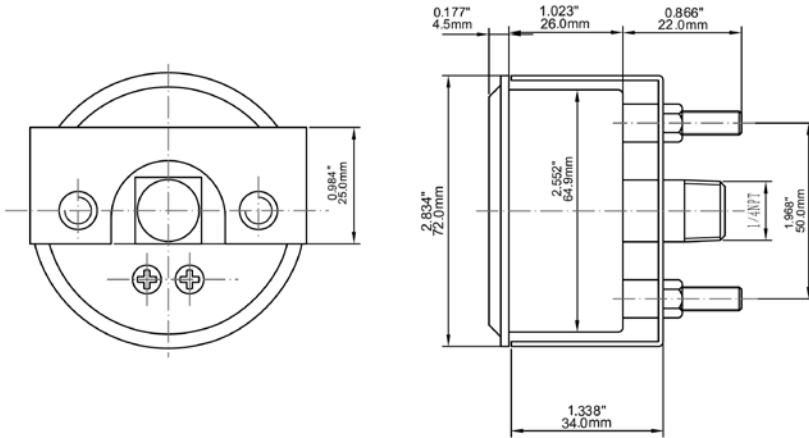
1.5" Back Connection with U-Clamp



2" Back Connection with U-Clamp



2.5" Back Connection with U-Clamp



3.5" Back Connection with U-Clamp

