



### Description & Features:

- Gauge designed to be used with most standard double ferrule tube fittings, such as Parker A-Lok®
- Heavy duty, stainless steel, liquid-filled gauge
- Back, bottom, or panel mount configurations
- ±1.5% accuracy
- Facilitates 360° orientation
- Elimination of leak point
- PTFE free connection
- ASME B40.100 compliant
- CRN registered
- 5 year warranty

### Applications:

- Specifically designed to be utilized with tube fitting applications in the fluid power sector
- Allows installation where space is limited
- Used where PTFE free connection is needed
- Used where gauge alignment is critical

### Specifications

<b>Dial</b>	2.5" (63mm) aluminum with red and black markings
<b>Case</b>	Grade 304 SS
<b>Lens</b>	Polycarbonate
<b>Ring</b>	304 SS, bayonet
<b>Block</b>	316L SS
<b>Socket</b>	316L SS
<b>Connection</b>	1/4" Tube Stub
<b>Bourdon Tube</b>	316L SS
<b>Movement</b>	304 SS
<b>Pointer</b>	Aluminum, anodized black
<b>Welding</b>	Laser welded socket to case
<b>Fill Liquid</b>	Glycerin
<b>Over-pressure Limit</b>	15% of full scale value
<b>Gasket Materials</b>	Buna N
<b>Working Pressure</b>	75% of full scale value
<b>Ambient/Process Temperature</b>	Dry: -40°F to 200°F (-40°C to 93°C) Glycerin Filled: -4°F to 150°F (-20°C to 65°C)
<b>Accuracy</b>	±1.5% of full scale value
<b>Enclosure Rating</b>	IP66 per EN60529-1 (IEC529-1)

A-Lok® is a registered trademark of Parker Hannifin Corporation

## Single Scale Order Codes

Dial Size	2.5" (63mm)	
	1/4" Tube Bottom	1/4" Tube Back (CB)
30" Hg Vac	PTS820R1-TS	PTS840R1-TS
30"/0/15 psi	PTS860R1-TS	PTS870R1-TS
30"/0/30 psi	PTS861R1-TS	PTS871R1-TS
30"/0/60 psi	PTS862R1-TS	PTS872R1-TS
30"/0/100 psi	PTS863R1-TS	PTS873R1-TS
30"/0/150 psi	PTS864R1-TS	PTS874R1-TS
30"/0/200 psi	PTS866R1-TS	PTS876R1-TS
30"/0/300 psi	PTS867R1-TS	PTS877R1-TS
0/15 psi	PTS821R1-TS	PTS921R1-TS
0/30 psi	PTS822R1-TS	PTS922R1-TS
0/60 psi	PTS823R1-TS	PTS923R1-TS
0/100 psi	PTS824R1-TS	PTS924R1-TS
0/160 psi	PTS825R1-TS	PTS925R1-TS
0/200 psi	PTS826R1-TS	PTS926R1-TS
0/300 psi	PTS827R1-TS	PTS927R1-TS
0/400 psi	PTS880R1-TS	PTS881R1-TS
0/600 psi	PTS828R1-TS	PTS928R1-TS
0/1,000 psi	PTS829R1-TS	PTS929R1-TS
0/1,500 psi	PTS835R1-TS	PTS935R1-TS
0/2,000 psi	PTS836R1-TS	PTS936R1-TS
0/3,000 psi	PTS831R1-TS	PTS931R1-TS
0/5,000 psi	PTS832R1-TS	PTS852R1-TS

## Dual Scale Order Codes

Dial Size	2.5" (63mm)	
	1/4" Tube Bottom	1/4" Tube Back (CB)
30" Hg Vac/kPa	PTS820-TS	PTS840-TS
30"/0/15 psi/kPa	PTS860-TS	PTS870-TS
30"/0/30 psi/kPa	PTS861-TS	PTS871-TS
30"/0/60 psi/kPa	PTS862-TS	PTS872-TS
30"/0/100 psi/kPa	PTS863-TS	PTS873-TS
30"/0/150 psi/kPa	PTS864-TS	PTS874-TS
30"/0/200 psi/kPa	PTS866-TS	PTS876-TS
30"/0/300 psi/kPa	PTS867-TS	PTS877-TS
0/15 psi/kPa	PTS821-TS	PTS921-TS
0/30 psi/kPa	PTS822-TS	PTS922-TS
0/60 psi/kPa	PTS823-TS	PTS923-TS
0/100 psi/kPa	PTS824-TS	PTS924-TS
0/160 psi/kPa	PTS825-TS	PTS925-TS
0/200 psi/kPa	PTS826-TS	PTS926-TS
0/300 psi/kPa	PTS827-TS	PTS927-TS
0/400 psi/kPa	PTS880-TS	PTS881-TS
0/600 psi/kPa	PTS828-TS	PTS928-TS
0/1,000 psi/kPa	PTS829-TS	PTS929-TS
0/1,500 psi/kPa	PTS835-TS	PTS935-TS
0/2,000 psi/kPa	PTS836-TS	PTS936-TS
0/3,000 psi/kPa	PTS831-TS	PTS931-TS
0/5,000 psi/kPa	PTS832-TS	PTS852-TS

Other ranges and connection sizes available upon request. For scale change, refer to How to Order Guide for scale codes.

For options, attach suffix to end of order code: i.e. **PTS820-TS-25DRY** for DRY CASE

Option suffix:

25BF = 2.5" (63mm) Back flange

25BOOT = 2.5" (63mm) Protective black rubber boot

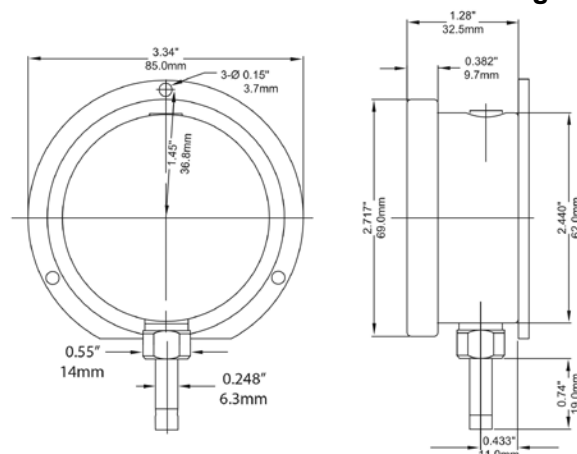
25DRY = Supply 2.5" (63mm) gauge dry

25FF = 2.5" (63mm) Front flange

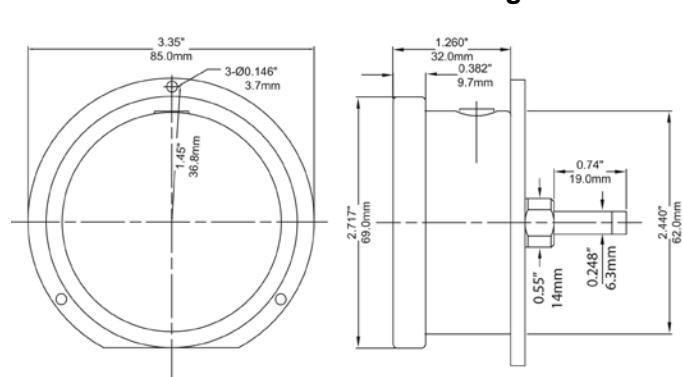
25UC = 2.5" (63mm) U-Clamp

SG-25 = 2.5" (63mm) Safety glass lens

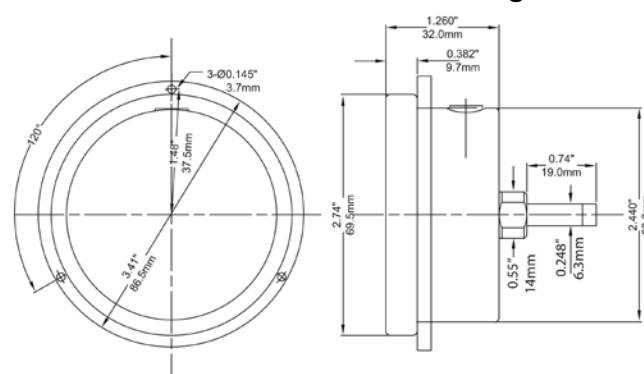
### 2.5" Bottom Connection with Back Flange



### 2.5" Back Connection with Back Flange



### 2.5" Back Connection with Front Flange



### 2.5" Back Connection with U-Clamp

