



#### Description & Features:

- Small diameter, all stainless steel gauge
- 1.5" (40mm) and 2" (50mm) dials
- Full view snap-in lens
- Back and bottom connection
- ASME B40.100 compliant
- CRN registered
- 5 year warranty

#### Applications:

- Regulators, valve positioners and actuators that require a reliable and corrosion-resistant pressure gauge

#### Specifications

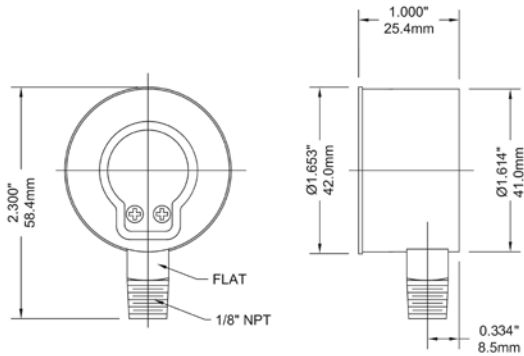
|                             |   |
|-----------------------------|---|
| Dial                        | 1.5" (40mm), 2" (50mm) white aluminum with black and red markings |
| Case                        | 304 SS  |
| Lens                        | Acrylic, snap-in type   |
| Socket                      | 316 SS  |
| Connection                  | 1/8" NPT or 1/4" NPT standard                                     |
| Bourdon Tube                | 316 SS  |
| Movement                    | 304 SS  |
| Pointer                     | Aluminum, painted black   |
| Welding                     | Silver alloy  |
| Over-pressure Limit         | 25% of full scale value   |
| Working Pressure            | Maximum 75% of full scale value                                   |
| Ambient/Process Temperature | -40°F to 150°F (-40°C to 65°C)                                    |
| Accuracy                    | ±2.5% of full scale value   |
| Enclosure Rating            | IP52  |

**Order Codes (products in bold are normally stock in North America)**

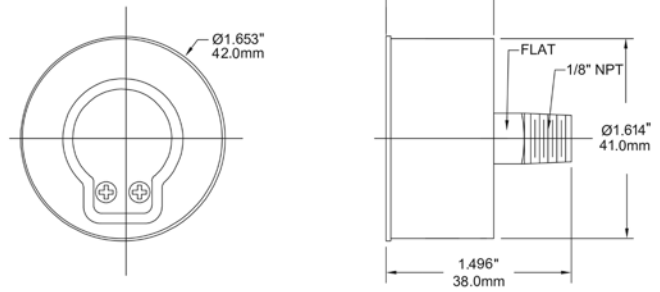
| Dial Size         | 1.5" (40mm) |                | 2" (50mm)   |                |               |                |
|-------------------|-------------|----------------|-------------|----------------|---------------|----------------|
|                   | 1/8" Bottom | 1/8" Back (CB) | 1/8" Bottom | 1/8" Back (CB) | 1/4" Bottom   | 1/4" Back (CB) |
| 30"/0/15 psi/kPa  | -           | -              | -           | -              | PRL017        | PRL026         |
| 30"/0/60 psi/kPa  | -           | -              | -           | PRL040         | PRL018        | PRL027         |
| 30"/0/100 psi/kPa | -           | -              | -           | -              | PRL019        | PRL028         |
| 30"/0/160 psi/kPa | -           | -              | -           | -              | PRL020        | PRL029         |
| 0/30 psi/kPa      | PRL001      | <b>PRL005</b>  | PRL009      | PRL013         | PRL021        | PRL030         |
| 0/60 psi/kPa      | PRL002      | <b>PRL006</b>  | PRL010      | PRL014         | PRL022        | PRL031         |
| 0/100 psi/kPa     | PRL003      | <b>PRL007</b>  | PRL011      | PRL015         | PRL023        | PRL032         |
| 0/160 psi/kPa     | PRL004      | <b>PRL008</b>  | PRL012      | PRL016         | <b>PRL024</b> | <b>PRL033</b>  |
| 0/200 psi/kPa     | -           | -              | -           | -              | PRL042        | -              |
| 0/400 psi/kPa     | -           | -              | -           | -              | PRL036        | -              |
| 0/600 psi/kPa     | -           | -              | -           | -              | -             | PRL034         |
| 0/3,000 psi/kPa   | PRL038      | PRL041         | -           | -              | PRL025        | PRL035         |
| 0/5,000 psi/kPa   | -           | PRL039         | -           | -              | -             | -              |

Other ranges and connection sizes available upon request. For scale change, refer to How to Order Guide for scale codes.

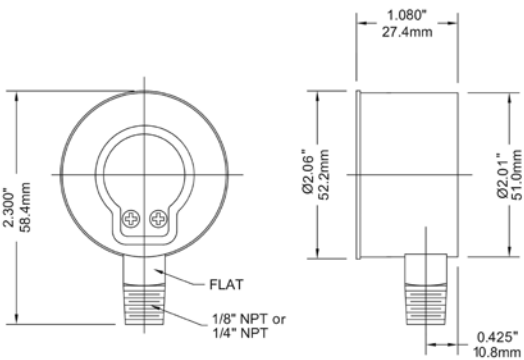
**1.5" Bottom Connection**



**1.5" Back Connection**



**2" Bottom Connection**



**2" Back Connection**

