



1

2

1. Optional Front Flange
2. Optional Back Flange


### Description & Features:

- High quality, commercial grade gauge at an economical price
- $\pm 1\%$  accuracy
- Steel and aluminum cases
- Brass wetted parts
- ASME B40.100 compliant (EN837-1 available)
- CRN registered
- 5 year warranty

### Applications:

- Commercial installations, plumbing, heating and cooling

### Specifications

<b>Dial</b>	3.5" (90mm), 4" (100mm), 4.5" (115mm), 6" (150mm) white aluminum with black and red markings
<b>Case</b>	3.5" (90mm), 4" (100mm): Steel painted black 4.5" (115mm): Aluminum 6" (150mm) Bottom: Steel painted black 6" (150mm) Back: Aluminum
<b>Lens</b>	3.5" (90mm), 4.5" (115mm) Bottom connection, 6" (150mm): Glass 4" (100mm), 4.5" (115mm) Back connection: Polycarbonate
<b>Ring</b>	3.5" (90mm), 4" (100mm), 4.5" (115mm) Bottom connection: Polished brass 6" (150mm) Bottom connection: Steel painted black 4.5" (115mm) Back connection, 6" (150mm) back connection: SS, polished
<b>Socket</b>	Brass
<b>Connection</b>	1/4" NPT standard
<b>Bourdon Tube</b>	Phosphor bronze
<b>Pointer</b>	Black aluminum
<b>Welding</b>	Silver alloy
<b>Over-pressure Limit</b>	25% of full scale value
<b>Working Pressure</b>	Maximum 75% of full scale value
<b>Ambient/Process Temperature</b>	-40°F to 200°F (-40°C to 93°C)
<b>Accuracy</b>	$\pm 1\%$ ANSI/ASME Grade 1A
<b>Enclosure Rating</b>	IP52
<b>Warning</b>	 <b>WARNING:</b> This product can expose you to chemicals including lead, which is known to the State of California to cause cancer and birth defects or other reproductive harm. For more information go to <a href="http://www.P65Warnings.ca.gov">www.P65Warnings.ca.gov</a> .

### Order Codes (products in bold are normally stock in North America)

Dial Size	3.5" (90mm)		4" (100mm)	4.5" (115mm)		6" (150mm)	
Case Material	Steel			Aluminum		Steel	Aluminum
Connection	Bottom	Centre Back		Bottom	Lower Back	Bottom	Lower Back
30" Hg Vac/kPa	P1S234	P1S560	P1S460	P1S410	P1S430	P1S250	P1S475
30"/0/15 psi/kPa	P1S230	P1S568	P1S468	P1S411	P1S431	P1S251C	P1S476
30"/0/30 psi/kPa	P1S231	P1S569	P1S469	P1S412	P1S432	P1S252C	P1S477
30"/0/60 psi/kPa	<b>P1S232</b>	P1S570	P1S470	P1S413	P1S433	P1S259C	P1S478
30"/0/100 psi/kPa	P1S233	P1S571	P1S471	P1S414	P1S434	P1S253C	P1S479
30"/0/160 psi/kPa	<b>P1S229</b>	P1S572	P1S472	P1S416	P1S436	P1S254C	P1S480
30"/0/200 psi/kPa	-	P1S573	-	P1S417	P1S437	P1S255C	P1S481
30"/0/300 psi/kPa	P1S227	P1S574	P1S473	P1S418	P1S438	P1S256C	P1S482
0/15 psi/kPa	P1S228	P1S561	P1S461	P1S419	P1S439	-	-
0/30 psi/kPa	P1S235	P1S562	P1S462	<b>P1S420</b>	P1S440	<b>P1S251</b>	P1S483
0/60 psi/kPa	P1S236	P1S563	P1S463	P1S421	P1S441	P1S252	P1S484
0/100 psi/kPa	<b>P1S237</b>	<b>P1S564</b>	P1S464	<b>P1S422</b>	P1S442	P1S253	P1S485
0/160 psi/kPa	<b>P1S238</b>	P1S565	P1S465	P1S423	P1S443	P1S254	P1S486
0/200 psi/kPa	<b>P1S239</b>	P1S566	P1S466	P1S424	P1S444	<b>P1S255</b>	P1S487
0/300 psi/kPa	<b>P1S240</b>	P1S567	P1S467	<b>P1S426</b>	P1S446	P1S256	P1S488
0/600 psi/kPa	-	-	-	P1S490	-	-	-
0/1,000 psi/kPa	-	-	-	P1S491	-	-	-
0/3,000 psi/kPa	-	-	-	P1S492	-	-	-
0/5,000 psi/kPa	-	-	-	P1S493	-	-	-

Other ranges and connection sizes available upon request. For scale change, refer to How to Order Guide for scale codes.

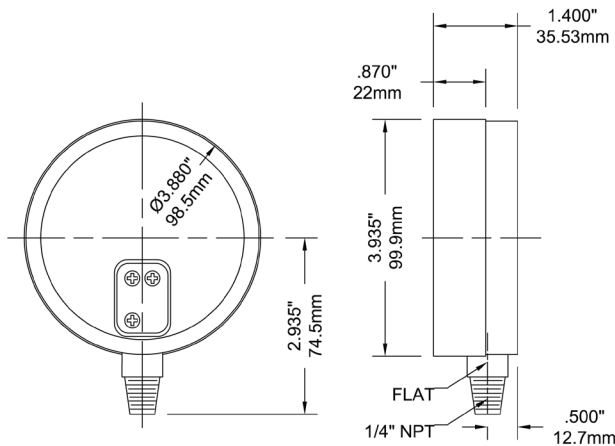
**For options, attach suffix to end of order code: i.e. P1S420-45QBF for BACK FLANGE.**

#### Option suffix:

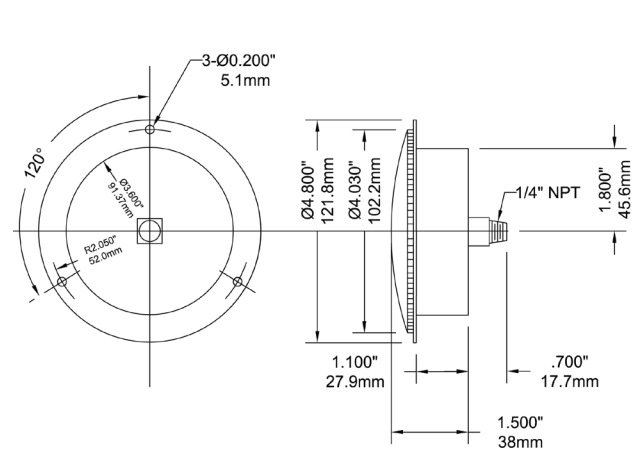
- 35QBF = 3.5" (90mm) Back flange
- 4QBF = 4" (100mm) Back flange
- 45QBF = 4.5" (115mm) Back flange
- 6QBF = 6" (150mm) Back flange
- EN = EN837-1 compliant
- MAXI45 = 4.5" (115mm) Maxi pointer
- MAXI6 = 6" (150mm) Maxi pointer

Note: Syphon recommended for all steam applications

### 3.5" Bottom Connection

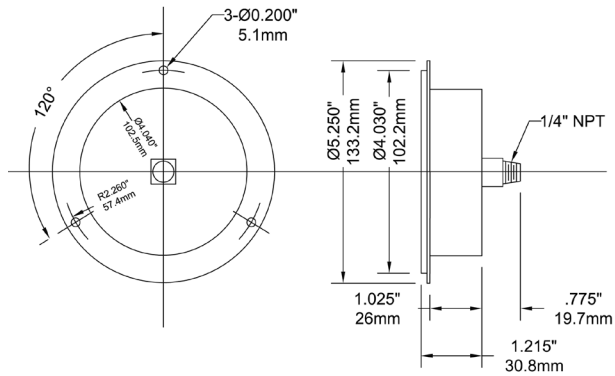


### 3.5" Back Connection

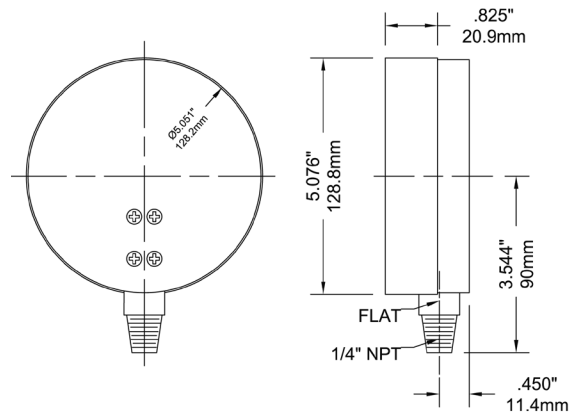


Front flange is a standard integral part of the 3.5" back connection case

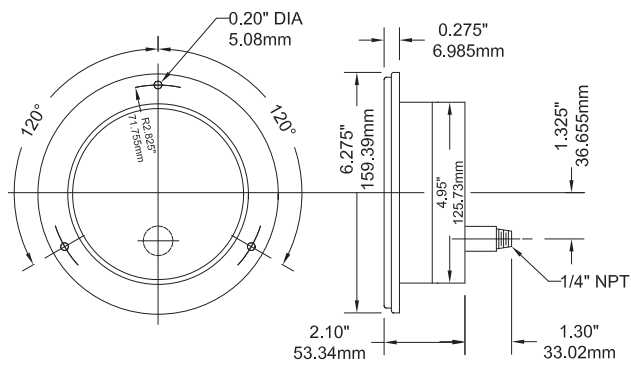
### 4" Centre Back Connection



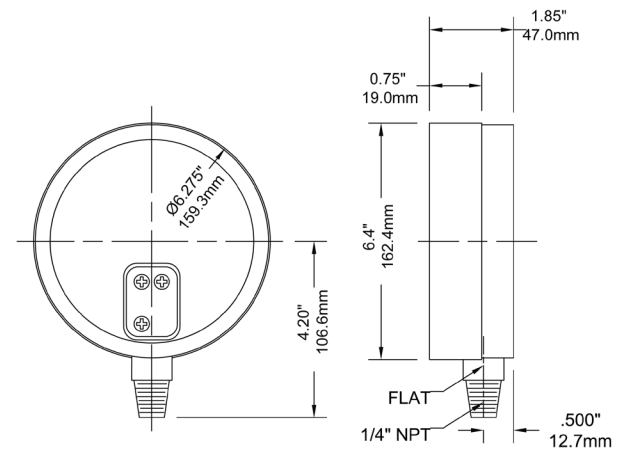
### 4.5" Bottom Connection



### 4.5" Lower Back Connection



### 6" Bottom Connection



### 6" Back Connection with Front Flange

